

TOGGLE AGENT ABORT SWITCH

Effective May 2010

PART# GEM ABORT

Optional Surface Mount Back Box

PART# GEM 2GRB

page 1 of 2

TOGGLE AGENT ABORT SWITCH

The TOGGLE AGENT ABORT SWITCH provides a temporary manual means for interrupting the agent actuation circuit between the initial alarm and automatic release. The panel employs a momentary dead-man type switch which, when pressed, opens the actuator circuit by interrupting electric current.

Each switch has (2) led indicators: "SYSTEM ON" and "SYSTEM ABORTED" which indicate the condition of the system.

The information is silk-screened on a two-gang stainless steel plate.



INSTALLATION

The 2-Gang plate mounts to GEMCOM's Part# GEM 2GRB Surface Back Box and operates on 24VDC. This plate can also be flush mounted with a two-gang plaster ring on a deep 4" square 1900 box. Refer to Figures 1 & 2 for dimensions.

FIGURE 1 2 GANG PLATE FRONT VIEW

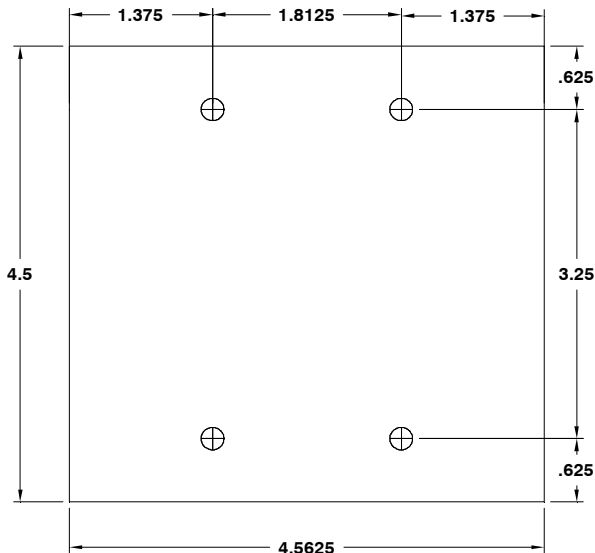
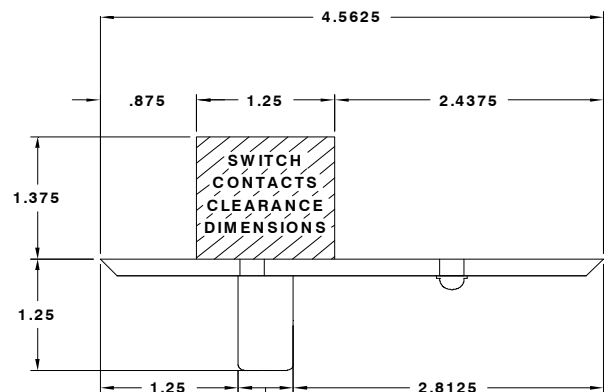


FIGURE 2 2 GANG PLATE TOP VIEW



TOGGLE AGENT ABORT SWITCH

Effective May 2010

PART# **GEM ABORT**

Optional Surface Mount Back Box

PART# **GEM 2GRB**

page 2 of 2

Switch rated at

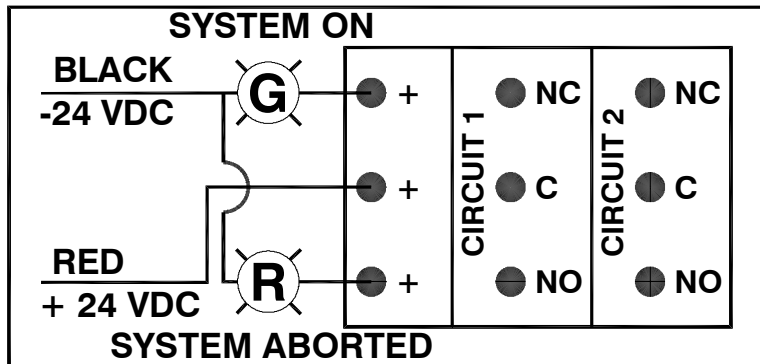
10A 250VAC, 15A 125-250VAC, the DC rating is 15A up to 30VDC.

LEDS rated at

10mA each for a total current draw of 20mA.

Mounting screws supplied: (4) 6-32 x 1/2" and (4) 6-32 x 1"

3-POLE WIRING DIAGRAM



This literature is provided for informational purposes only. Gemcom, INC. assumes no responsibility for the product's suitability for a particular application. The product must be properly applied to work correctly. If you need more information on this product, or if you have a particular problem or question, contact GEMCOM, INC., WILLOW SPRINGS, IL 60480. Telephone: (708) 839-6840