

## MUSHROOM AGENT ABORT SWITCH

The MUSHROOM AGENT ABORT SWITCH provides a temporary manual means for interrupting the agent actuation circuit between the initial alarm and automatic release. The abort station employs a momentary mushroom pushbutton switch which, when pressed, opens the actuator circuit by interrupting electric current. If the system is an addressable system with input modules, the switch can be connected in a way to close the circuit.

The operating instructions (and your company logo if desired) are provided on an integrated engraved sign and text can be modified for different types of systems and/or installations.

## MUSHROOM AGENT ABORT SWITCH

Effective May 2010

PART# GEM MR ABORT

Optional Surface Mount Back Box

PART# GEM 2GRB

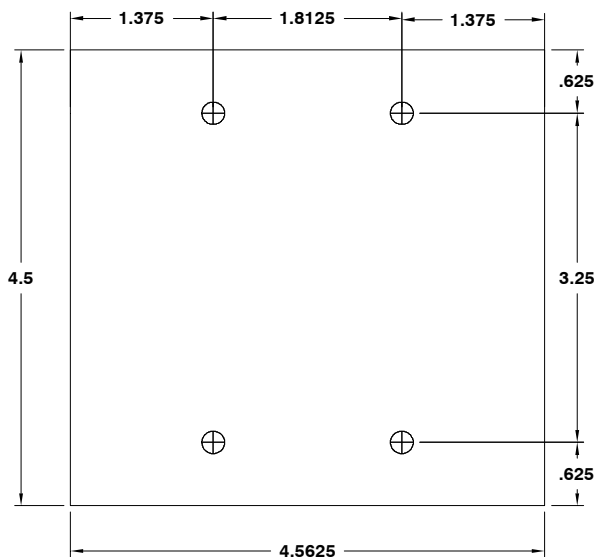
page 1 of 2



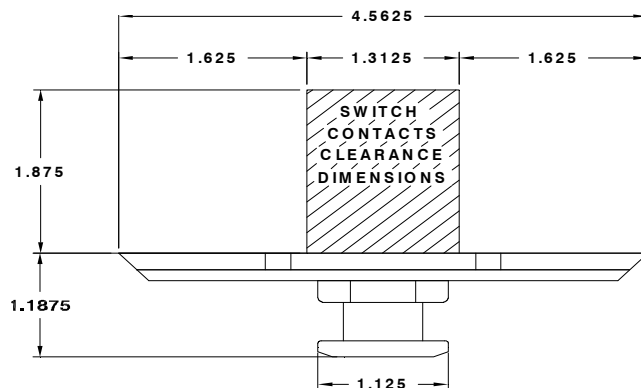
## INSTALLATION

The 2-Gang plate mounts to GEMCOM's Part# GEM 2GRB Surface Back Box and operates on 24VDC. This plate can also be flush mounted with a two-gang plaster ring on a deep 4" square 1900 box. Refer to Figures 1 & 2 for dimensions.

**FIGURE 1** 2 GANG PLATE FRONT VIEW



**FIGURE 2** 2 GANG PLATE TOP VIEW



## MUSHROOM AGENT ABORT SWITCH

Effective May 2010

PART# **GEM MR ABORT**

Optional Surface Mount Back Box

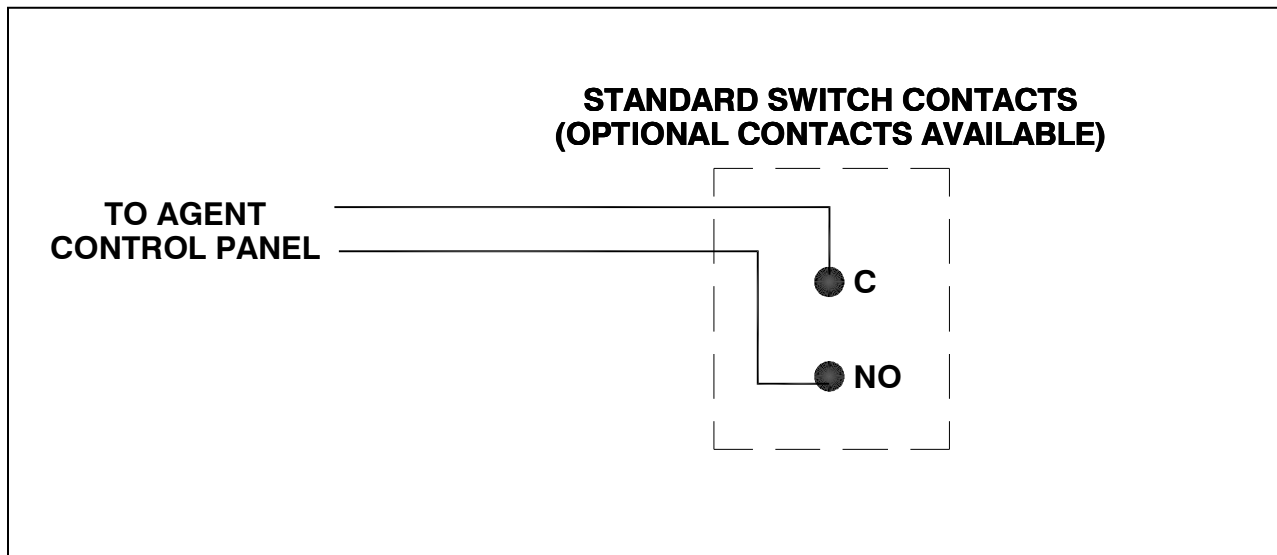
PART# **GEM 2GRB**

page 2 of 2

### Switch rated at

- Contacts rated 4 amps @ 24VDC
- Operating ambient temperature range -4°F to +158°F (-25°C to +70°C)
- Terminations supplied are captive screws with saddles and accept 18-12 AWG wire
- Mounting screws supplied: (4) 6-32 x 1/2" and (4) 6-32 x 1"

**Note:** If optional contacts are added or changed it may change the dimensions of the switch contacts and the depth of space required in the back box.



This literature is provided for informational purposes only. Gemcom, INC. assumes no responsibility for the product's suitability for a particular application. The product must be properly applied to work correctly. If you need more information on this product, or if you have a particular problem or question, contact GEMCOM, INC., WILLOW SPRINGS, IL 60480. Telephone: (708) 839-6840