

MAINTENANCE SWITCH

This MAINTENANCE panel is a key switch, which disconnects actuation circuits in the system to prevent accidental discharge during maintenance operations.

Two "LEDS" indicate "SYSTEM ARMED" and "SYSTEM INACTIVE". When the key is inserted and turned towards "SYSTEM INACTIVE", the red LED illuminates and the green LED indicating "SYSTEM ARMED" turns off. The key can only be removed in the "SYSTEM ARMED" position.

This panel is also available with the key removable in both the "ARMED" and the "INACTIVE" positions.

The information is silk-screened on a two-gang stainless steel plate.

MAINTENANCE SWITCH

Effective May 2010

PART# **GEM MAINT** Specify **3 POLE OR 4 POLE**

Optional Surface Mount Back Box

PART# **GEM 2GRB**

page 1 of 2



INSTALLATION

The 2-Gang plate mounts to GEMCOM's Part# GEM 2GRB Surface Back Box and operates on 24VDC. This plate can also be flush mounted with a two-gang plaster ring on a deep 4" square 1900 box. Refer to Figures 1 & 2 for dimensions.

FIGURE 1 2 GANG PLATE FRONT VIEW

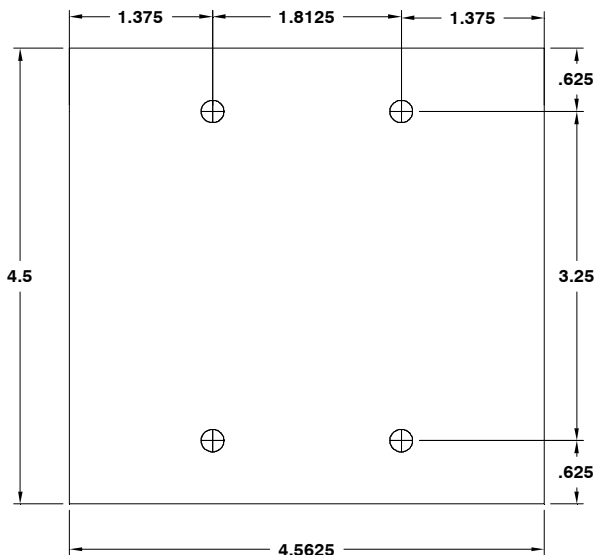
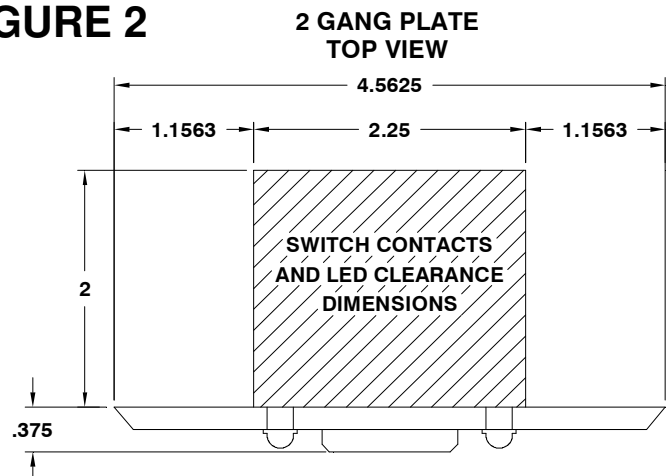


FIGURE 2 2 GANG PLATE TOP VIEW



MAINTENANCE SWITCH

Effective May 2010

PART# **GEM MAINT** Specify **3 POLE OR 4 POLE**

Optional Surface Mount Back Box

PART# **GEM 2GRB**

page 2 of 2

Switch rated at

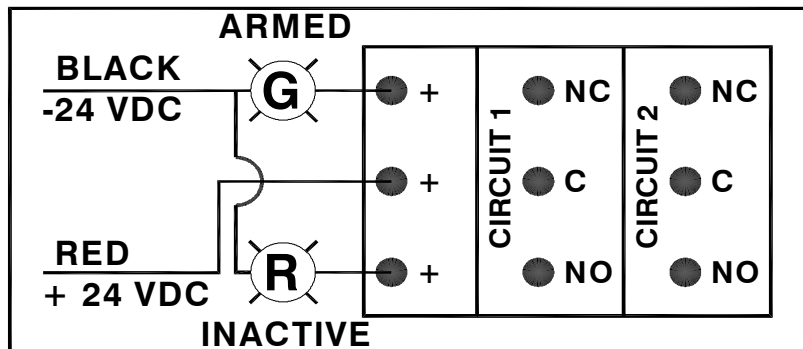
10A 250VAC, 15A 125-250VAC, the DC rating is 15A up to 30VDC.

LEDS rated at

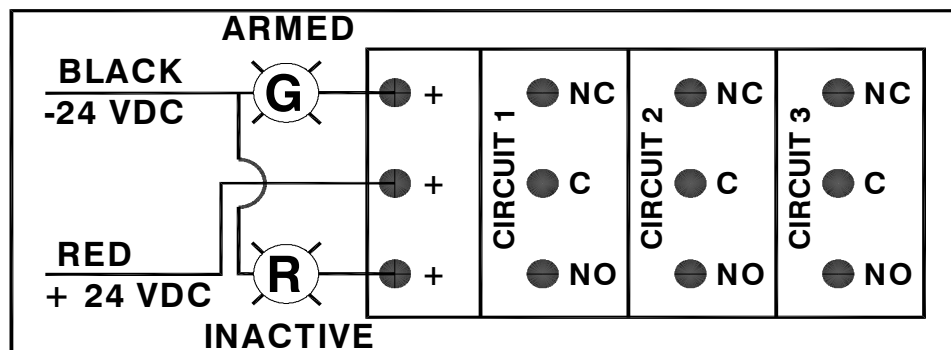
10mA each for a total current draw of 20mA.

Mounting screws supplied: (4) 6-32 x 1/2" and (4) 6-32 x 1"

3-POLE WIRING DIAGRAM



4-POLE WIRING DIAGRAM



This literature is provided for informational purposes only. Gemcom, INC. assumes no responsibility for the product's suitability for a particular application. The product must be properly applied to work correctly. If you need more information on this product, or if you have a particular problem or question, contact GEMCOM, INC., WILLOW SPRINGS, IL 60480. Telephone: (708) 839-6840