

## FAN SHUTDOWN SWITCH

Effective May 2010

PART# **GEM SHUTDOWN** Specify 3 POLE OR 4 POLE

Optional Surface Mount Back Box

PART# **GEM 2GRB**

page 1 of 2

## FAN SHUTDOWN SWITCH

The FAN SHUTDOWN provides a key switch for overriding fan operation while maintenance is in progress. Each FAN SHUTDOWN has a rotary key lock with settings of "NORMAL" and "SHUTDOWN". Key can only be removed in the "NORMAL" position.

This panel is also available with the key removable in both the "NORMAL" and the "SHUTDOWN" positions.

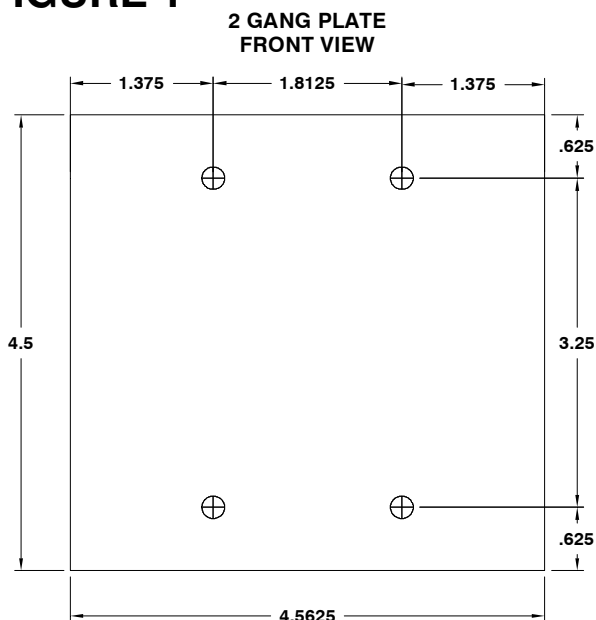
The information is silk-screened on a two-gang stainless steel plate.



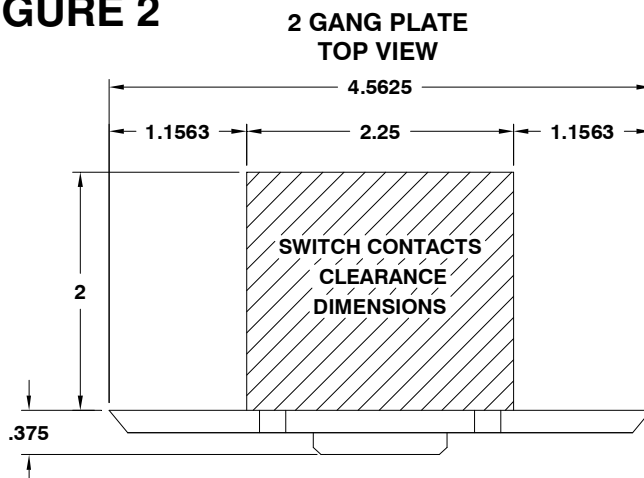
## INSTALLATION

The 2-Gang plate mounts to GEMCOM's Part# GEM 2GRB Surface Back Box and operates with dry contacts. This plate can also be flush mounted with a two-gang plaster ring on a deep 4" square 1900 box. Refer to Figures 1 & 2 for dimensions.

**FIGURE 1**



**FIGURE 2**



## FAN SHUTDOWN SWITCH

Effective May 2010

PART# **GEM SHUTDOWN** Specify **3 POLE OR 4 POLE**

Optional Surface Mount Back Box

PART# **GEM 2GRB**

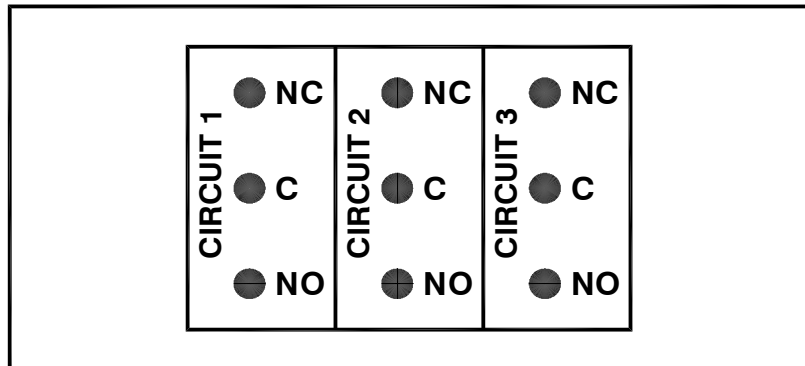
page 2 of 2

### Switch rated at

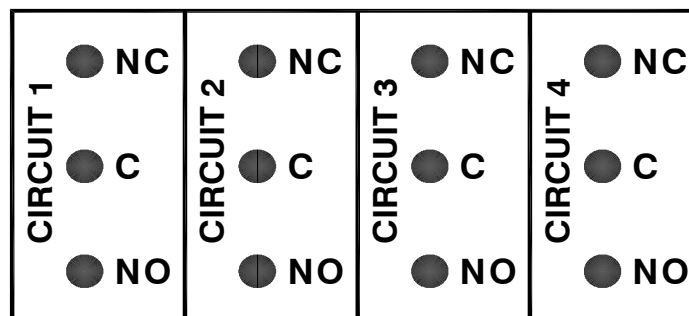
10A 250VAC, 15A 125-250VAC, the DC rating is 15A up to 30VDC.

Mounting screws supplied: (4) 6-32 x 1/2" and (4) 6-32 x 1"

## 3-POLE WIRING DIAGRAM



## 4-POLE WIRING DIAGRAM



This literature is provided for informational purposes only. Gemcom, INC. assumes no responsibility for the product's suitability for a particular application. The product must be properly applied to work correctly. If you need more information on this product, or if you have a particular problem or question, contact GEMCOM, INC., WILLOW SPRINGS, IL 60480. Telephone: (708) 839-6840