

DOOR STATUS SWITCH

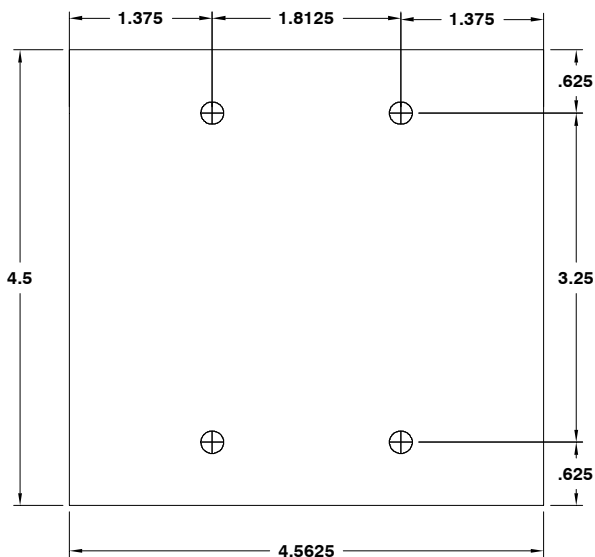
The DOOR STATUS provides a key switch for overriding the door locked position in case of an emergency. Each DOOR STATUS has a rotary key lock with settings of "LOCKED" and "UNLOCKED".

Two "LEDS" indicate "LOCKED" and "UNLOCKED". When the key is inserted and turned towards "UNLOCKED" the green LED illuminates and the red LED indicating "LOCKED" turns off. The key can only be removed in the "LOCKED" position.

This panel is also available with the key removable in both the "LOCKED" and the "UNLOCKED" positions.

The information is engraved on a sign attached to a two-gang stainless steel plate. It is available with red with white text.

FIGURE 1 2 GANG PLATE FRONT VIEW



DOOR STATUS SWITCH

Effective May 2010

PART# DOOR STATUS Specify 3 POLE OR 4 POLE

Optional Surface Mount Back Box

PART# GEM 2GRB

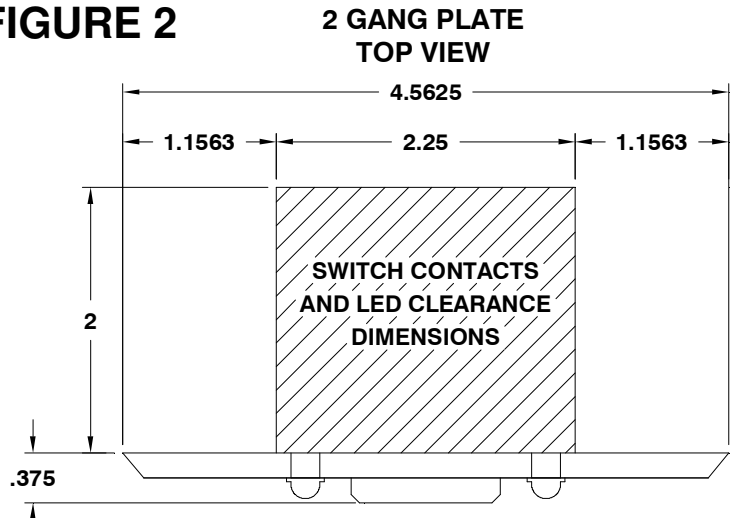
page 1 of 2



INSTALLATION

The 2-Gang plate mounts to GEMCOM's Part# GEM 2GRB Surface Back Box and operates on 24VDC. This plate can also be flush mounted with a two-gang plaster ring on a deep 4" square 1900 box. Refer to Figures 1 & 2 for dimensions.

FIGURE 2 2 GANG PLATE TOP VIEW



DOOR STATUS SWITCH

Effective May 2010

PART# **DOOR STATUS** Specify **3 POLE OR 4 POLE**

Optional Surface Mount Back Box

PART# **GEM 2GRB**

page 2 of 2

Switch rated at

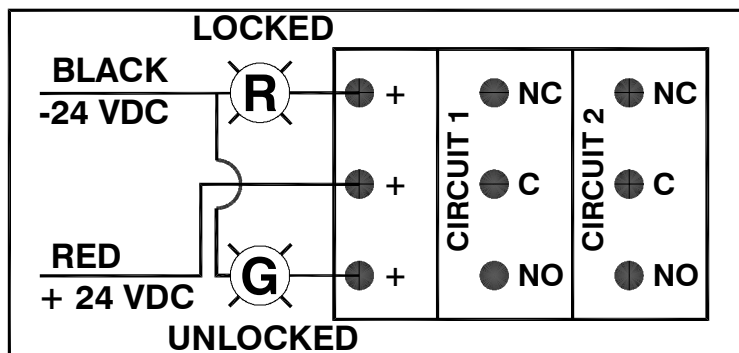
10A 250VAC, 15A 125-250VAC, the DC rating is 15A up to 30VDC.

LEDS rated at

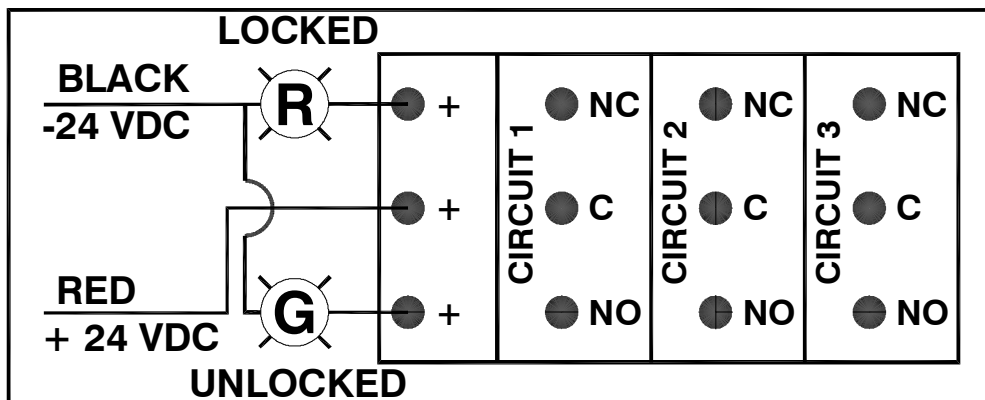
10mA each for a total current draw of 20mA.

Mounting screws supplied: (4) 6-32 x 1/2" and (4) 6-32 x 1"

3-POLE WIRING DIAGRAM



4-POLE WIRING DIAGRAM



This literature is provided for informational purposes only. Gemcom, INC. assumes no responsibility for the product's suitability for a particular application. The product must be properly applied to work correctly. If you need more information on this product, or if you have a particular problem or question, contact GEMCOM, INC., WILLOW SPRINGS, IL 60480. Telephone: (708) 839-6840