

FIRE ALARM TROUBLE BELL STATION

Effective May 2011

PART# FIRE-EST

Optional Surface Mount Back Box

PART# GEM 2GRB

page 1 of 2

DESCRIPTION

In the "BELL NORMAL" position, the "BELL TEST" will sound the bell. When there is a trouble, the bell will sound and when silenced with the push button momentary switch, the LED will light. The "BELL SILENCE" switch will silence the bell. When the trouble clears, the LED will turn off and the switch will automatically reset.

The information is engraved on a sign attached to a two-gang stainless steel plate. It is available in red with white text.



INSTALLATION

The 2-Gang plate mounts to GEMCOM's Part# GEM 2GRB Surface Back Box and operates on 24VDC. This plate can also be flush mounted with a two-gang plaster ring on a deep 4" square 1900 box. Refer to Figures 1 & 2 for dimensions.

FIGURE 1

2 GANG PLATE
FRONT VIEW

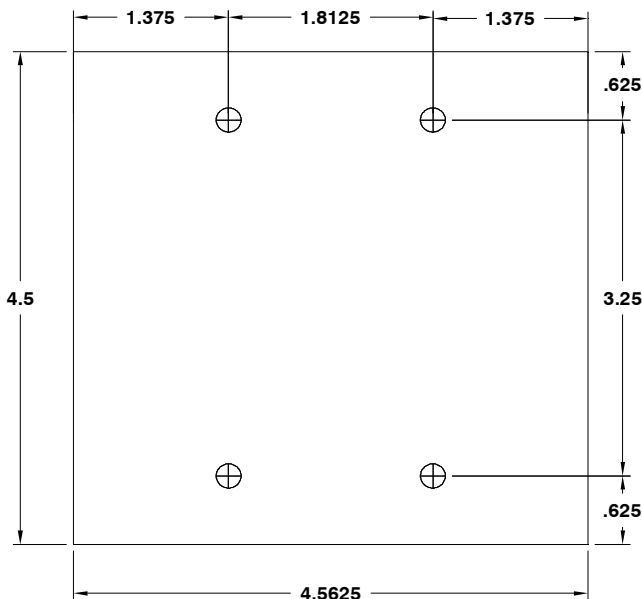
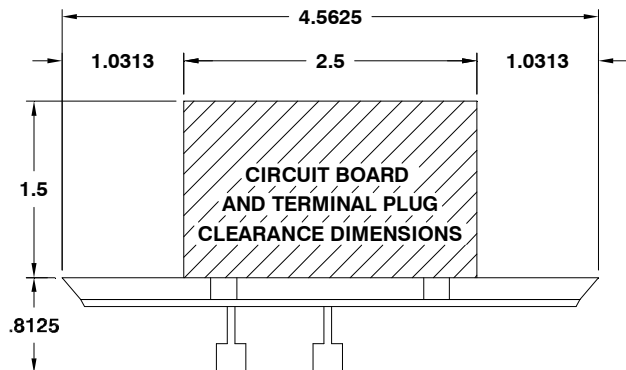


FIGURE 2

2 GANG PLATE
SIDE VIEW



FIRE ALARM TROUBLE BELL STATION

Effective May 2011

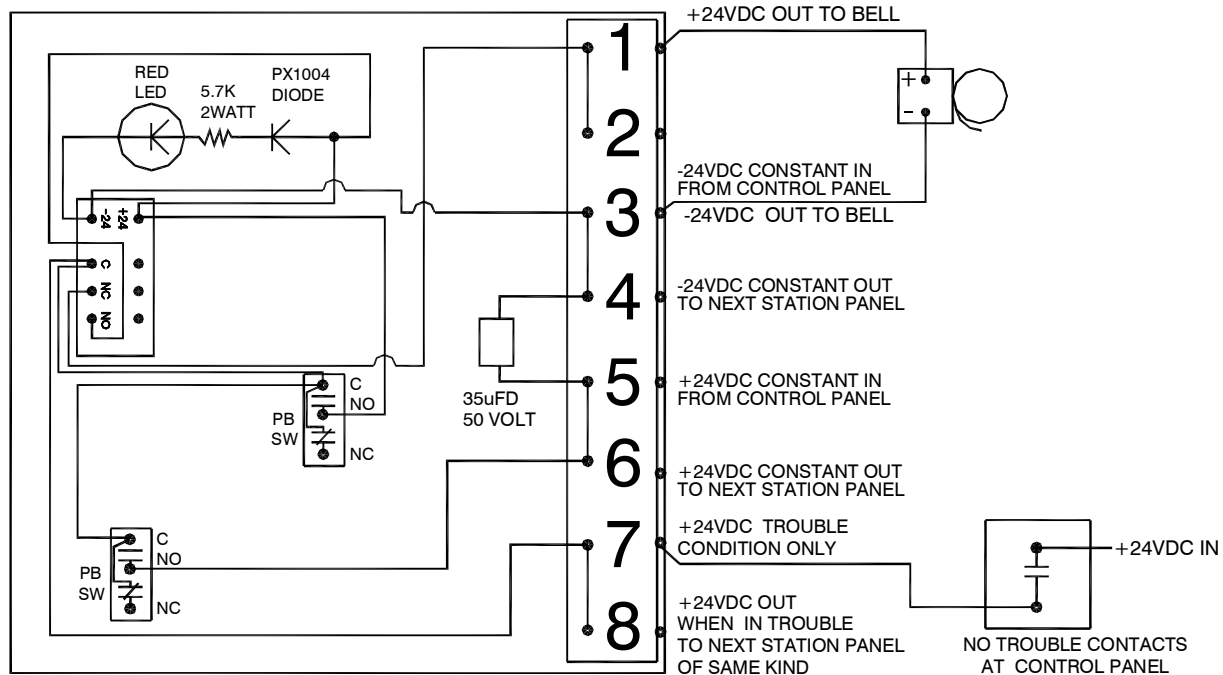
PART# **FIRE-EST**

Optional Surface Mount Back Box

PART# **GEM 2GRB**

page 2 of 2

TROUBLE BELL STATION EST PANEL WIRING DIAGRAM FOR (FIRE ALARM AND CITY TIE ONLY)



This literature is provided for informational purposes only. Gemcom, INC. assumes no responsibility for the product's suitability for a particular application. The product must be properly applied to work correctly. If you need more information on this product, or if you have a particular problem or question, contact GEMCOM, INC., WILLOW SPRINGS, IL 60480. Telephone: (708) 839-6840