

DUCT DETECTOR PANEL TROUBLE BELL STATION

Effective May 2011

PART# **DUCT** Specify Positive or Negative Common or 120VAC
Optional Surface Mount Back Box

PART# **GEM 2GRB**

page 1 of 2

DESCRIPTION

In the "BELL NORMAL" position, the "BELL TEST" will sound the bell. When there is a trouble, the bell will sound and when silenced with the toggle switch, the LED will light. The "BELL SILENCE" switch will silence the bell. When the trouble clears, the LED will turn off and a ring back will sound until the "BELL SILENCE" switch is returned to the normal position.

The information is engraved on a sign attached to a two-gang stainless steel plate. It is available in red with white text.



INSTALLATION

The 2-Gang plate mounts to GEMCOM's Part# GEM 2GRB Surface Back Box and operates on 24VDC or 120VAC. This plate can also be flush mounted with a two-gang plaster ring on a deep 4" square 1900 box. Refer to Figures 1 & 2 for dimensions.

FIGURE 1

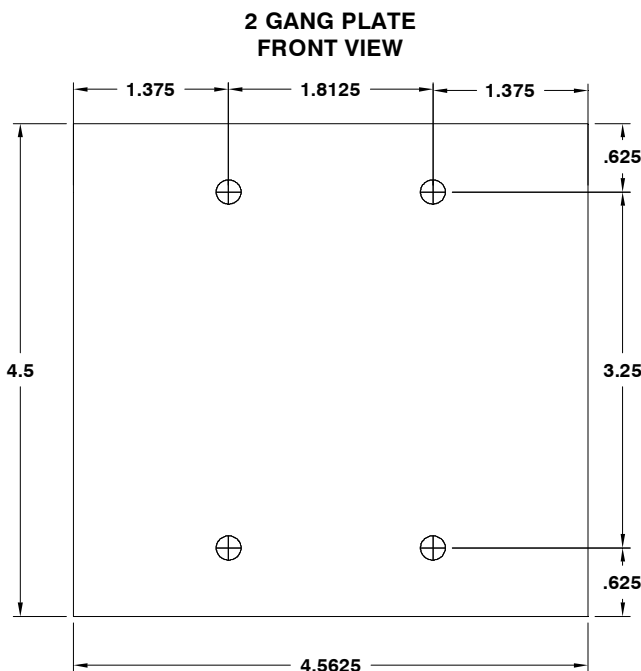
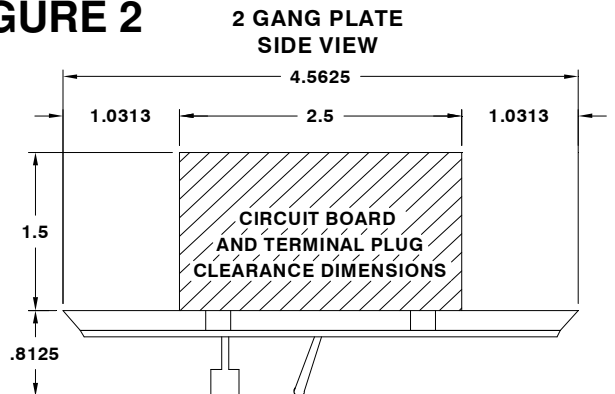


FIGURE 2



DUCT DETECTOR PANEL TROUBLE BELL STATION

Effective May 2011

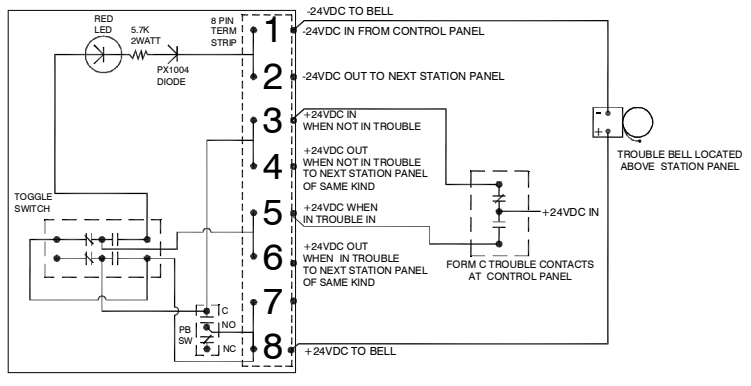
PART# **DUCT** Specify Positive or Negative Common or 120VAC

Optional Surface Mount Back Box

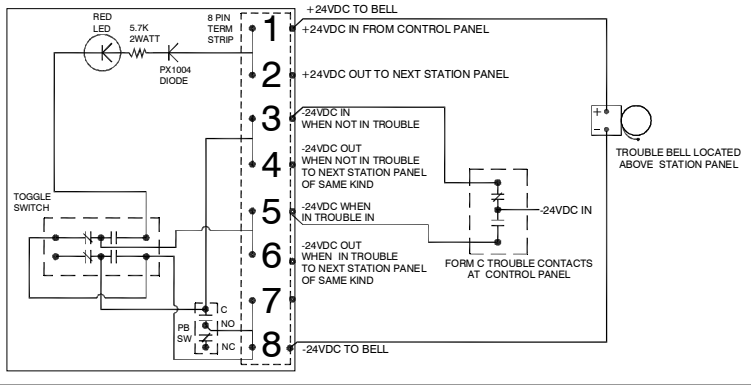
PART# **GEM 2GRB**

page 2 of 2

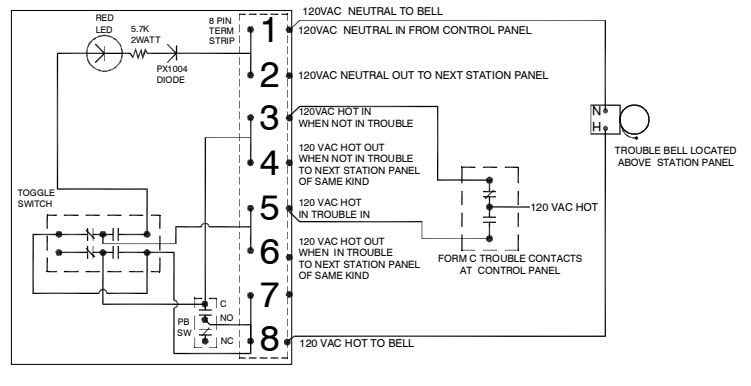
24VDC NEGATIVE COMMON WIRING DIAGRAM



24VDC POSITIVE COMMON WIRING DIAGRAM



120VAC WIRING DIAGRAM



This literature is provided for informational purposes only. Gemcom, INC. assumes no responsibility for the product's suitability for a particular application. The product must be properly applied to work correctly. If you need more information on this product, or if you have a particular problem or question, contact GEMCOM, INC., WILLOW SPRINGS, IL 60480. Telephone: (708) 839-6840