

CITY TIE DISCONNECT SWITCH

Effective April 2011

PART# CTD2G

Optional Surface Mount Back Box

PART# GEM 2GRB

page 1 of 2

CITY TIE DISCONNECT SWITCH

The CITY TIE DISCONNECT is used to disconnect the Fire Alarm Panel from reporting any Alarm or Trouble Condition to the City in order to test and maintain the Fire Alarm System. When the switch is turned to the "DISCONNECTED" position a White Pilot light illuminates to inform the user that the Panel has been disconnected.

The information is engraved on a sign attached to a two-gang stainless steel plate. It is available in red with white text.



INSTALLATION

The 2-Gang plate mounts to GEMCOM's Part# GEM 2GRB Surface Back Box and operates on 24VDC. This plate can also be flush mounted with a two-gang plaster ring on a deep 4" square 1900 box. Refer to Figures 1 & 2 for dimensions.

FIGURE 1 2 GANG PLATE FRONT VIEW

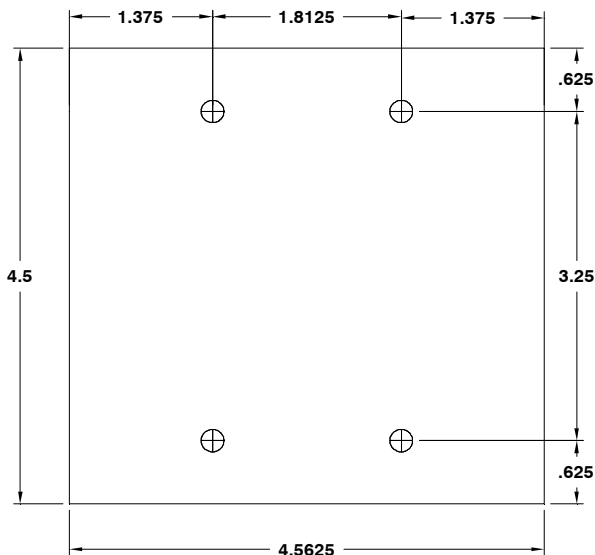
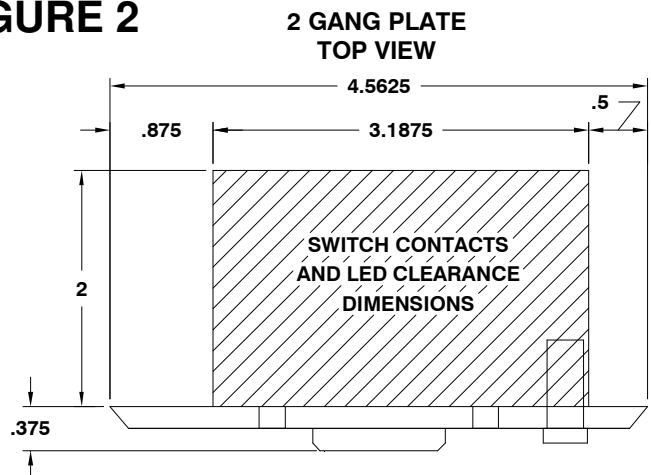


FIGURE 2 2 GANG PLATE TOP VIEW



CITY TIE DISCONNECT SWITCH

Effective April 2011

PART# **CTD2G**

Optional Surface Mount Back Box

PART# **GEM 2GRB**

page 2 of 2

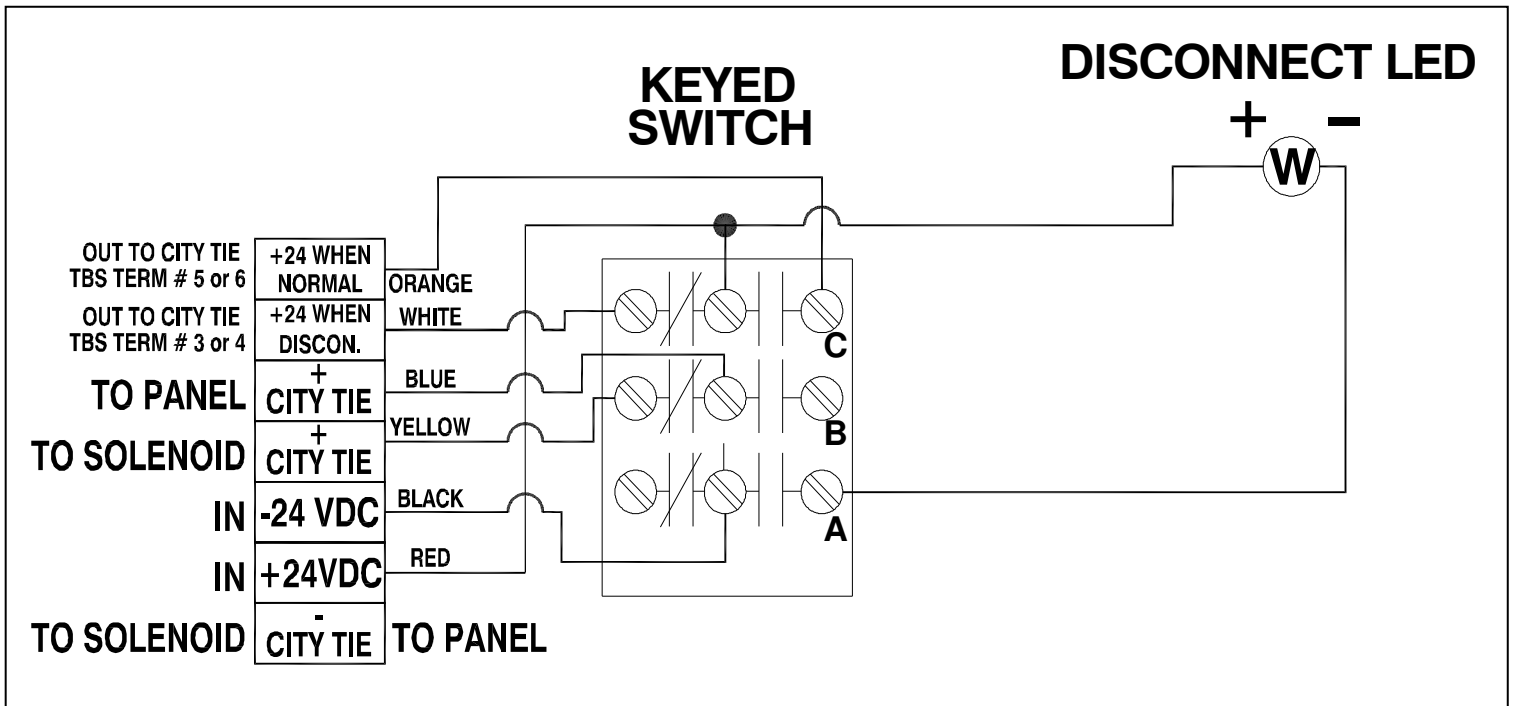
Switch rated at

10A 250VAC, 15A 125-250VAC, the DC rating is 15A up to 30VDC.

Incandescent rated at

40mA at 28V

Mounting screws supplied: (4) 6-32 x 1/2" and (4) 6-32 x 1"



This literature is provided for informational purposes only. Gemcom, INC. assumes no responsibility for the product's suitability for a particular application. The product must be properly applied to work correctly. If you need more information on this product, or if you have a particular problem or question, contact GEMCOM, INC., WILLOW SPRINGS, IL 60480. Telephone: (708) 839-6840