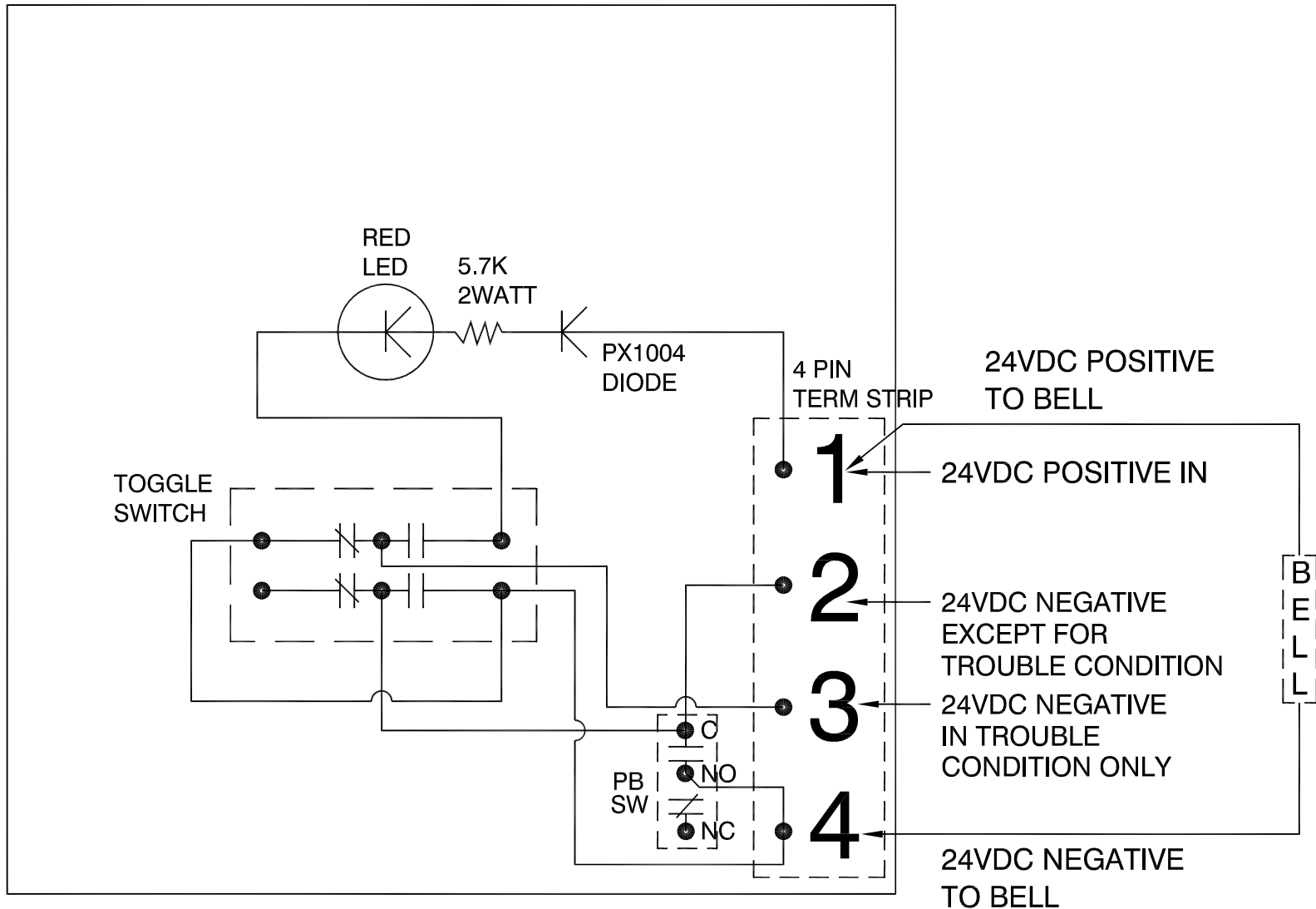


# CITY TIE TROUBLE BELL STATION 24VDC POSITIVE COMMON WIRING DIAGRAM



IN NORMAL POSITION BELL TEST WILL SOUND BELL. WHEN YOU GET A TROUBLE THE BELL WILL SOUND AND WHEN SILENCED THE LED WILL LIGHT. WHEN THE TROUBLE CLEARS YOU WILL GET A RING BACK UNTIL THE SWITCH IS RETURNED TO THE NORMAL POSITION.